



www.transfert-handicap.com

Tél : + 33(0) 4 67 57 36 35 Fax : + 33 (0) 4 67 57 33 23 Email : info@transfert-handicap.com

## RideOn 3 Part Aluminum Ramp



### Technical details

<b>Product description</b>	Manual operated wheelchair ramp for vans and mini buses.
<b>Installation</b>	On the vehicle Floor at the middle or rear door
<b>Dimensions :</b> <b>Ramp length</b> <b>Platform width</b>	2600 or 3100 mm 840 mm For detailed dimensions please refer to the installation drawings
<b>Weight</b>	2600/3 – 38 Kg, 3100mm/3 – 44 Kg
<b>Load</b>	Maximum load 400 Kg (4000 N) This is always labeled on the Ramp.
<b>Materials</b>	Ramp; Anodized Aluminium structure with Aluminium mesh plate anti-slip platform. Integrated Aluminium hinge. Mounting points: Stainless steel.
<b>Electrical connections</b>	No electrical parts.
<b>Legislation</b>	The product complies to the EC Bus directive 2001/85 and the EC Machine directive 98/37

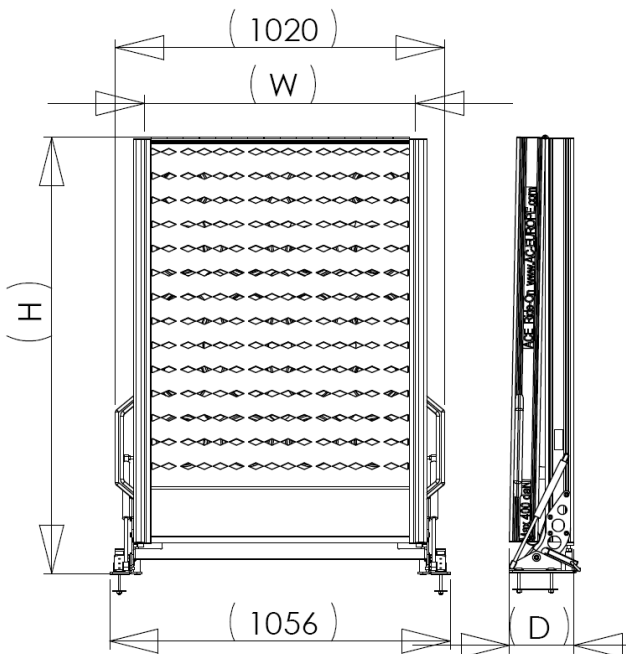
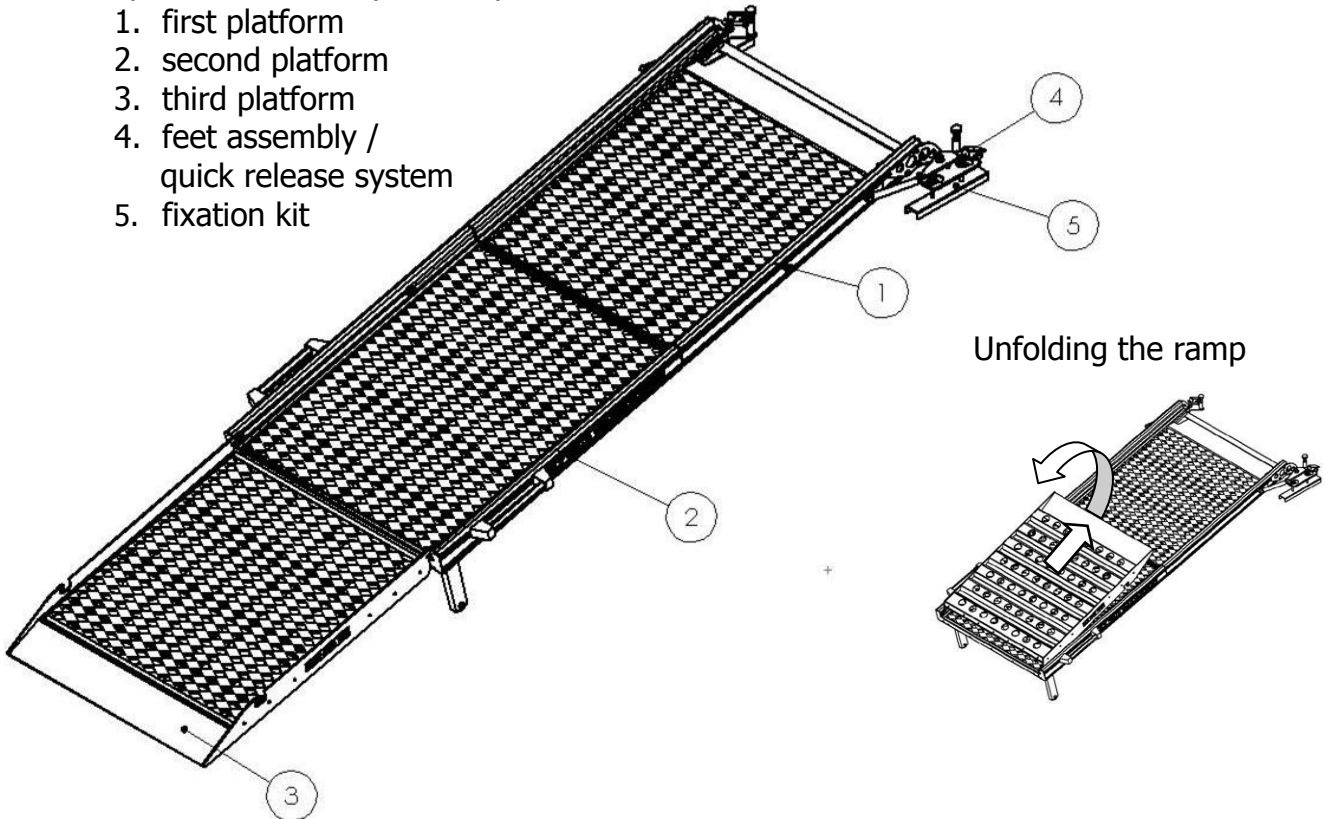


www.transfert-handicap.com

Tél : + 33(0) 4 67 57 36 35 Fax : + 33 (0) 4 67 57 33 23 Email : info@transfert-handicap.com

Components of the 3 part ramps :

1. first platform
2. second platform
3. third platform
4. feet assembly / quick release system
5. fixation kit



Dimensions as per drawing :

	2600mm	3100mm
Length	2600mm	3100mm
W	820	820
H	967	1157
D	256	256

